



PM 48 COLLAPSIBLE - CODE 155



- HOLDING CAPACITY: 48 plates
- TOTAL HEIGHT: 127 cm
- MEASUREMENTS OF UNDERCARRIAGE: 48 x 48 cm
- NET WEIGHT: 33lbs. 14 kg
- GROSS WEIGHT: 40.7lbs. 17 kg
- BOX: 128 X 70 X 10 cm
19 X 19 X 127 cm

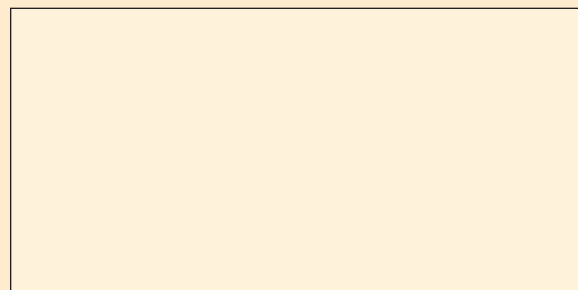
1 KG= 2.2 LBS
1 Inch=2.54 cm

This Model PLATE MATE has been specifically designed for rentals, catering companies and companies that are located in small quarters.

This model can be folded after use and hung on a wall or put in a corner for storage. So this model saves space twice, first when in use with plates and then when not in use. The unit is made of stainless steel tubes and requires no maintenance. Cleaning can be done with a high-pressure cleaner or with a soap solution and a brush. A protective cover is available as an optional item to protect against odors and prevent the dish contents from drying out.

*The Plate Mate also
saves time*

www.plate-mate.com



The Product Group, Inc.
Canton, Ohio

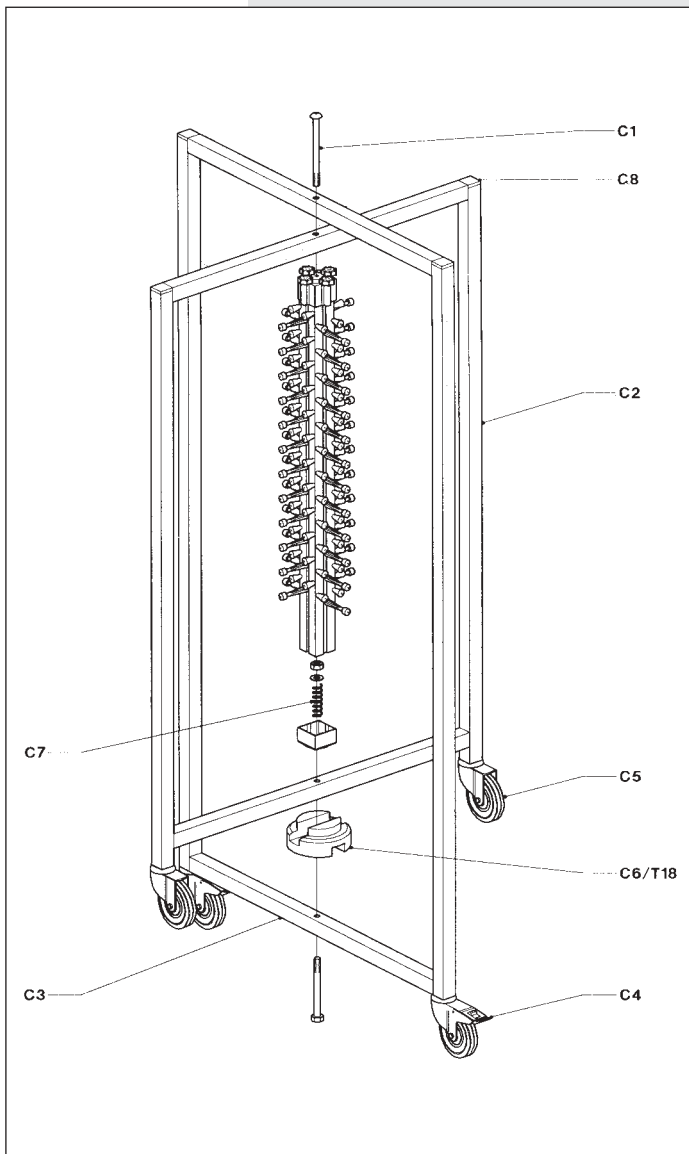
1-800-860-6283
www.plate-mate.com

PM 48 COLLAPSIBLE - CODE 155



ASSEMBLY

1. Remove the column and the frame from the box. Place the column in the foot of the frame, where the foot has already been put in place.
2. Slide the pin C1, which is already in place, upwards until the column fits under it and then slide the pin into the column head.
3. The unit can be collapsed by lifting the INNER FRAME, which is somewhat shorter than the OUTER FRAME, out of the fastening block. This is most easily done by placing your hands in the center of the cross bracing at the top and pulling the two frames toward each other, while using your foot to push the inner frame upwards. At first this will be somewhat difficult to do because all the parts of the unit are still new.



PARTS LIST PM 48 COLLAPSIBLE Code 155

Part Name	Part No.	Quantity
Aluminum main column-length = 985 mm	C48	1
Adjusting screw-M6X60	01	4
Plastic hood	02	1
Hoisting block	03	4
Extension	04	4
Bracket set	05	16
Black stay cap	06	48
Red shuttle	07	96
Shuttle pin - 6 X 47	08	96
Corner bracket (new model)	08A	16
Plastic foot - hole 10 mm	09	1
Centering bolt- M10 x 120	C1	1
Stainless steel inner frame - tube 25 X 25 X 1.2 mm	C2	1
Stainless steel outer frame - tube 25 X 25 X 1.2 mm	C3	1
Swivel wheel - 100 mm with brake	C4	2
Swivel wheel - 100 mm without brake	C5	2
Nylon fastening block	C6/T18	1
Compression-spring set in the foot	C7	1
Plug-in caps	C8	4