



PM 60 COLLAPSIBLE - CODE 145



- HOLDING CAPACITY: 60 plates
- TOTAL HEIGHT: 58.7" (149 cm)
- MEASUREMENTS OF UNDERCARRIAGE: 18.9" x 18.9" (48 x 48 cm)
- NET WEIGHT: 33lbs. (15 kg)
- GROSS WEIGHT: 40.7lbs. (18.5 kg)
- BOX: 59" x 27.6" x 3.9" (150 x 70 x 10 cm)
7.5" x 7.5" x 57.9" (19 x 19 x 147 cm)

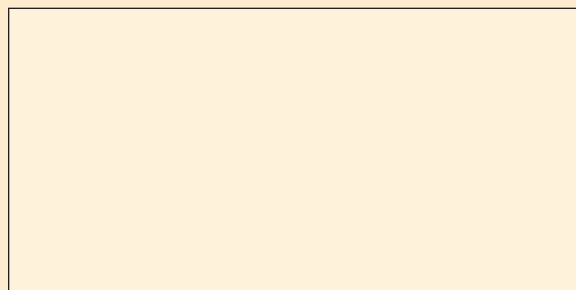
This Model PLATE MATE has been specifically designed for rentals, catering companies and companies that are located in small quarters.

You can save space two ways with this model. First, of course, when in use with plates; then after use this model can be folded and hung on a wall or put in a corner for storage. The unit is made of stainless steel tubes and requires no maintenance.

Cleaning can be done with a high-pressure washer or with a soap solution and a brush. A protective cover is available as an optional item to protect against odors and to prevent the dish contents from drying out.

*The ideal solution for
kitchens with limited space!*

www.plate-mate.com



The Product Group, Inc.
Canton, Ohio

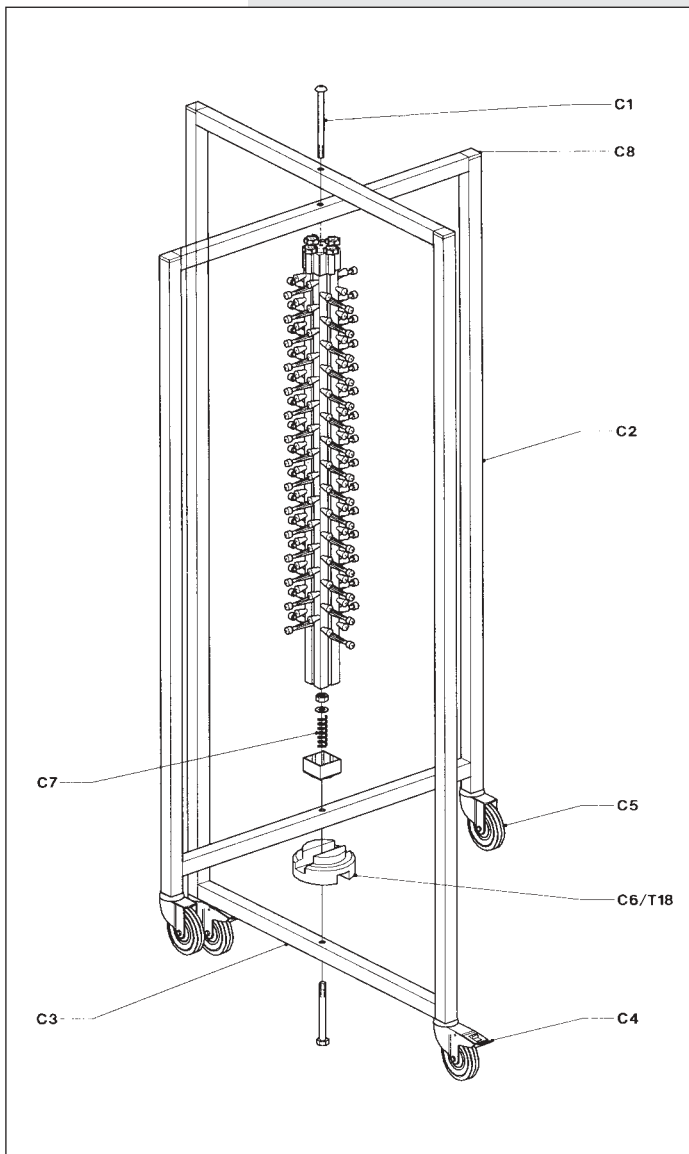
1-800-860-6283
www.plate-mate.com

PM 60 COLLAPSIBLE - CODE 145



ASSEMBLY

1. Remove the column and the frame from the box. Place the column in the foot of the frame, where the foot has already been put in place.
2. Slide the pin C1, which is already in place, upwards until the column fits under it and then slide the pin into the column head.
3. The unit can be collapsed by lifting the INNER FRAME, which is somewhat shorter than the OUTER FRAME, out of the fastening block. This is most easily done by placing your hands in the center of the cross bracing at the top and pulling the two frames toward each other, while using your foot to push the inner frame upwards. At first this will be somewhat difficult to do because all the parts of the unit are still new.



PARTS LIST PM 60 COLLAPSIBLE Code 145

Part Name	Part No.	Quantity
Aluminum main column	C60	1
Adjusting screw	01	4
Plastic hood	02	1
Hoisting block	03	4
Extension	04	4
Bracket set	05	20
Black stay cap	06	60
Red shuttle	07	120
Shuttle pin	08	120
Corner bracket (new model)	08A	20
Plastic foot	09	1
Centering bolt	C1	1
Stainless steel inner frame	C2	1
Stainless steel outer frame	C3	1
Swivel wheel	C4	2
Swivel wheel	C5	2
Nylon fastening block	C6/T18	1
Compression-spring set in the foot	C7	1
Plug-in caps	C8	4